

NOTES:
 ▲ MATERIAL/HOUSING & EJECTOR LEVER:
 L.C.P. HIGH TEMP THERMO PLASTIC
 UL 94V-0, NATURAL. (LEVER/BLACK)
 CONTACT: PHQS-BRZ
 0.0013 MIN GOLD ON
 SOLDERING AREA: 0.001 MIN TIN.
 3. MODULE KEY POSITION OF CONNECTOR SEE TABLE.

NO.	REMARKS (POWER SUPPLY)	CIRCUIT	DRAM	KEY TYPE	POS	PART NO.
3	DRAM 3.3V	CIRCUIT NDI.85 SIDE	DRAM 3.3V	(A)	168	2-5179508-1
3.4	DRAM 5.0V	CIRCUIT NDI.85 SIDE	DRAM 5.0V	(A)	168	1-5179508-1
2.6	DRAM 3.3V	CIRCUIT NDI.84,168 SIDE	DRAM 3.3V	(A)	168	1-5179508-1
3	DRAM 5.0V	CIRCUIT NDI.84,168 SIDE	DRAM 5.0V	(A)	168	5179508-1

Copyright © 1993
AMP (Japan), LTD.
ALL RIGHTS RESERVED.

tyco
Tyco Electronics AMP K.K.
Kawasaki, Japan

APPROVED	DATE	CHK	DR	REVISION	REVISION RECORD
22-APR-05	26-APR-05	LE	LZ	0	RELEASED ECR-05-001352
22-APR-05	22-APR-05	CHK	DR		STEVEN YAO

INSULATION DIA. mm Ø

WIRE RANGES mm² (AVG -)

(MATERIAL)

FINISH SEE NOTE

(GENERAL TOLERANCES)
 0-9.9 ±0.2
 10-25 ±0.25
 30-100 ±0.3
 100-1000 ±0.5

(SCALE) [1]

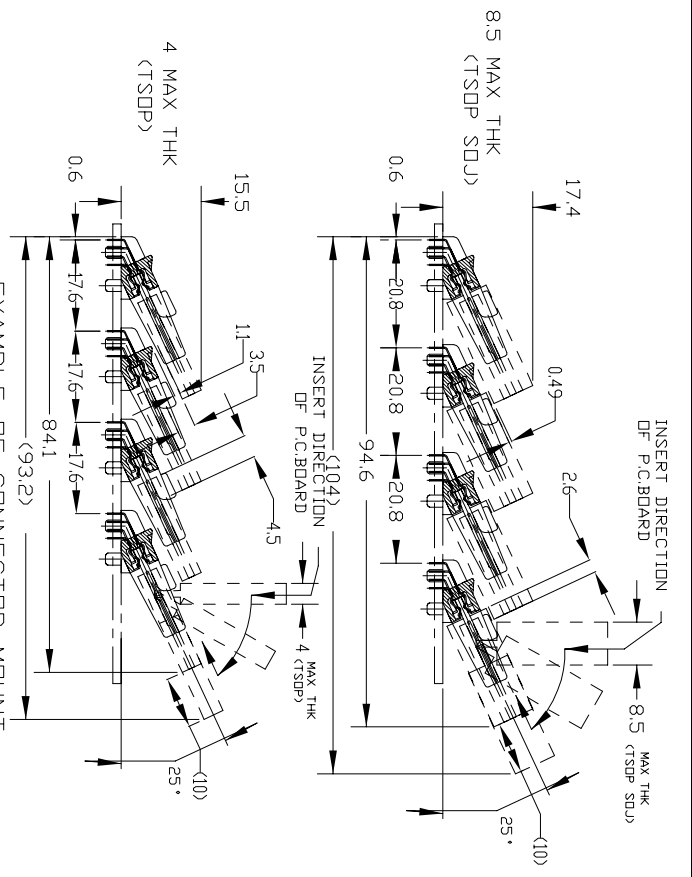
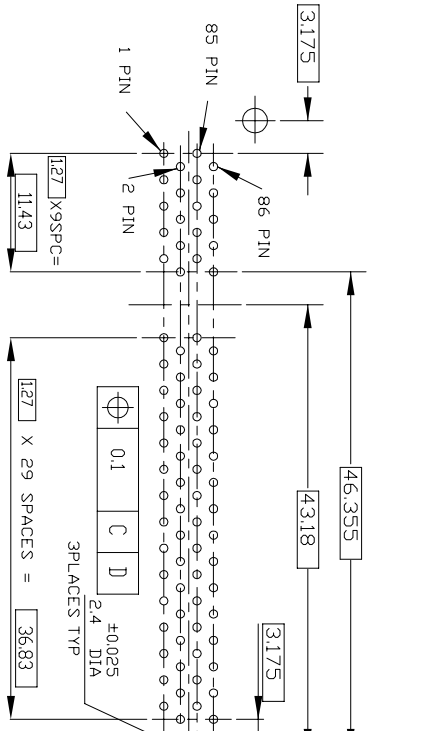
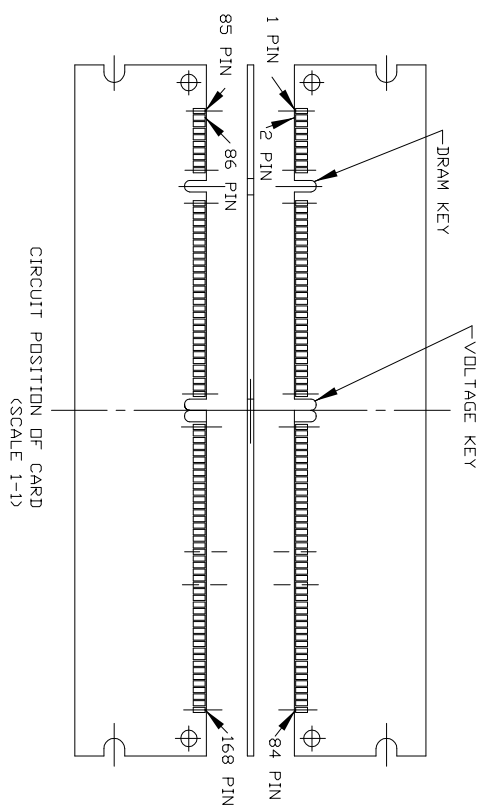
REV. 0

SHEET 1 OF 3

C-5179508

LDW PROFILE M64 CARD EDGE CONNECTOR,
SLANT (25°) TYPE. (FOR 8 BYTE DIMM)

(CUSTOMER DRAWING)



RECOMMENDED P.C. BOARD HOLE LAYOUT
(CONNECTOR MOUNTING SIDE)
P.C. BOARD THK 1.6 ±0.1

SEE SHEET 1 OF 3

REV.	REVISION RECORDED	DR	CHK	DATE	CHK

Copyright © 1993 AMP (Japan) LTD. ALL RIGHTS RESERVED.		WIRE RANGES mm ² (AWG)		INSULATION DIA. mm φ	
(MATERIAL)		(FINISH)		DE	
(NAME)		GENERAL TOLERANCES		(SCALES)	
LDJ PROFILE M64 CARD EDGE CONNECTOR, SLANT(25°) TYPE. (FOR 8 BYTE DIMM)		f0.1 ±0.2 f0.3 ±0.3 f3		B J (NO.) C-5179508	
tyco Electronics AMP K.K. Kawasaki, Japan		REV. 0		SHEET 2 OF 3	



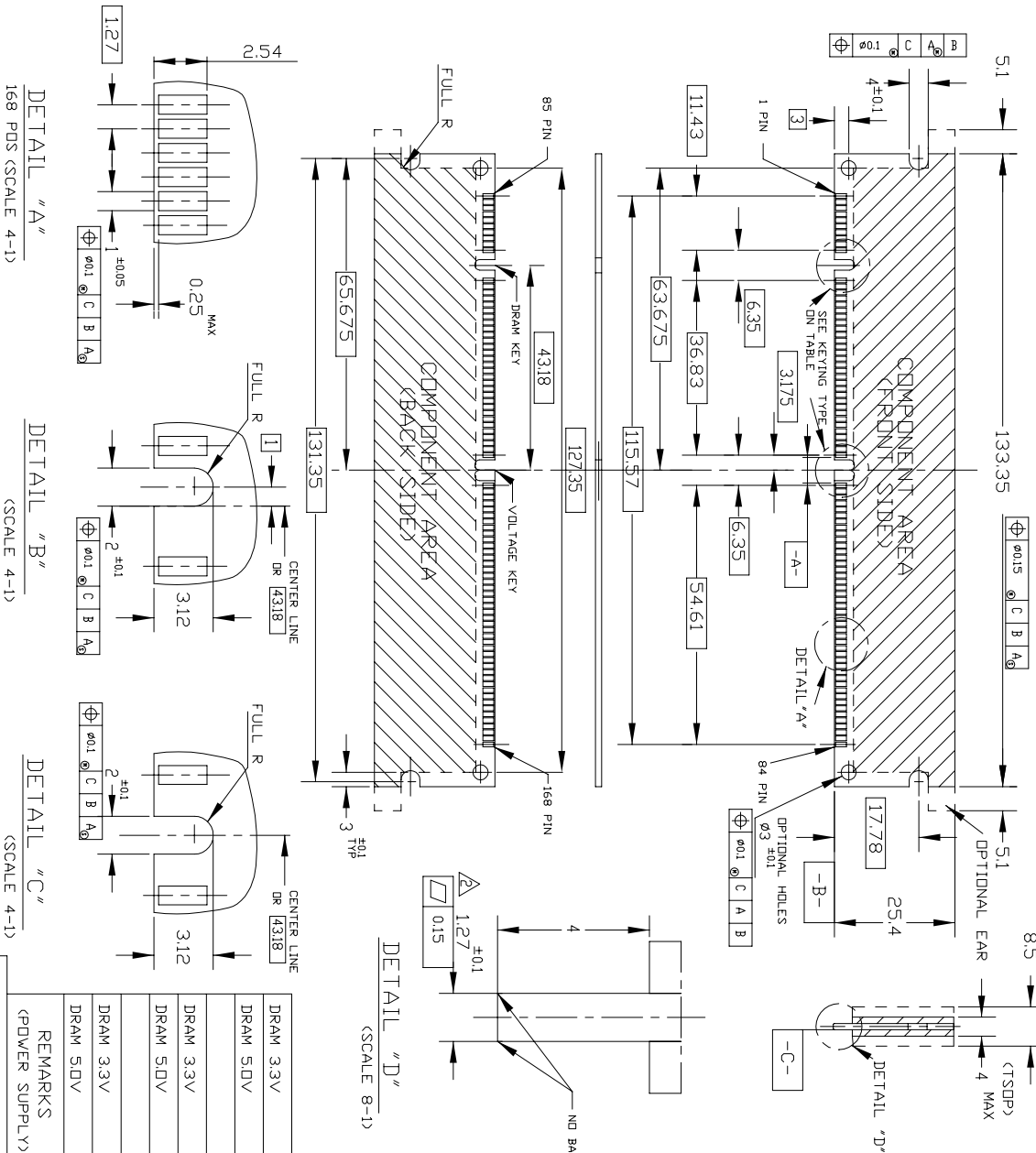
METRIC

PROJ. NO.695-248
PROJ. NO.593-342
PROJ. NO.593-384

DIMENSIONS IN MM. DO NOT SCALE PRINT

AMP-010-3C
REV.3/793

PRINT DIST



NOTES:
1. TOLERANCES ON ALL DIMENSIONS ±0.13 UNLESS OTHERWISE SPECIFIED.
2. P.C BOARD THICKNESS APPLIES ACROSS TABS AND INCLUDES PLATING AND/OR METALIZATION.
3. FINISH OF PAD : GOLD PLATING 0.00076 MIN OVER NI PLATING 0.002 MIN.

RECOMMENDED MATING BOARD CONFIGURATION.

DRAM 3.3V	DRAM 3.3V	DRAM 3.3V	DRAM 3.3V	DRAM 3.3V	DRAM 3.3V	DRAM 3.3V	DRAM 3.3V	DRAM 3.3V
DRAM 3.3V	DRAM 5.0V	DRAM 3.3V	DRAM 5.0V	DRAM 3.3V	DRAM 5.0V	DRAM 3.3V	DRAM 5.0V	DRAM 3.3V
DRAM 3.3V	DRAM 5.0V	DRAM 3.3V	DRAM 5.0V	DRAM 3.3V	DRAM 5.0V	DRAM 3.3V	DRAM 5.0V	DRAM 3.3V
DRAM 3.3V	DRAM 5.0V	DRAM 3.3V	DRAM 5.0V	DRAM 3.3V	DRAM 5.0V	DRAM 3.3V	DRAM 5.0V	DRAM 3.3V
DRAM 3.3V	DRAM 5.0V	DRAM 3.3V	DRAM 5.0V	DRAM 3.3V	DRAM 5.0V	DRAM 3.3V	DRAM 5.0V	DRAM 3.3V
DRAM 3.3V	DRAM 5.0V	DRAM 3.3V	DRAM 5.0V	DRAM 3.3V	DRAM 5.0V	DRAM 3.3V	DRAM 5.0V	DRAM 3.3V
DRAM 3.3V	DRAM 5.0V	DRAM 3.3V	DRAM 5.0V	DRAM 3.3V	DRAM 5.0V	DRAM 3.3V	DRAM 5.0V	DRAM 3.3V
DRAM 3.3V	DRAM 5.0V	DRAM 3.3V	DRAM 5.0V	DRAM 3.3V	DRAM 5.0V	DRAM 3.3V	DRAM 5.0V	DRAM 3.3V

(NAME) LOW PROFILE M64 CARD EDGE CONNECTOR, SLANT(25°) TYPE. (FOR 8 BYTE DIMM)	(GENERAL TOLERANCES) FRACTIONS DECIMALS ANGLES	(INSULATION DIA.) mm mm mm mm	(FINISH) SEE NOTE	(MATERIAL) SEE SHEET 1 BE 3	(WIRE RANGES) mm(TAWG -)	(REVISION RECORDED)
(SCALE) 1-1	(NO.) C-5179508	(REV.) 0	(SHEET) 3 OF 3	(DATE)	(CHK)	(LTR)

(CUSTOMER DRAWING)

Copyright © 1993
AMP (Japan), LTD.
ALL RIGHTS RESERVED.

tyco
Tyco Electronics AMP K.K.
Electronica
Kawasaki, Japan